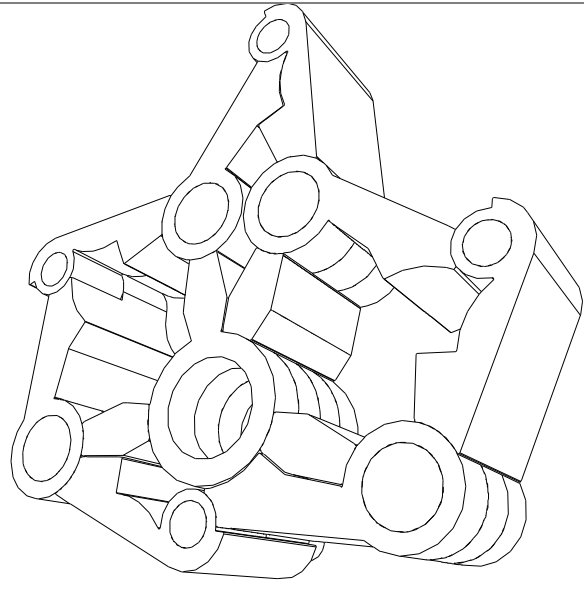
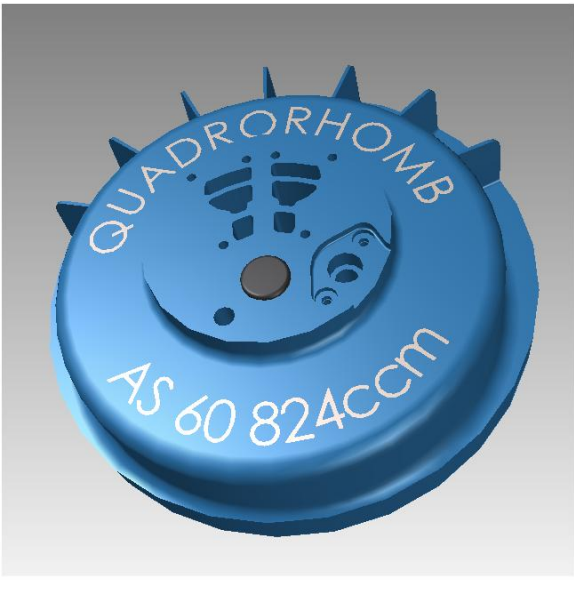




# MANUFACTURING ESTIMATE

CUSTOMER	
DUNS#	
CURRENCY	
RFQ #	
RFQ DATE	
RFQ RESPONSE	
LEAD TIME	
START DATE	

JOB DESCRIPTION	
PARTS INCLUDED IN ESTIMATE	SUPPLIED REFERENCE FILE
	



**ESTIMATE DETAILS**

Part Name	Qty	Price
Secondary Linkage A-2	4	\$25.13
Secondary Linkage B-4	4	\$25.83
Main Linkage 1-1	1	
Main Linkage 4-1	1	
Main Linkage 3-1	1	
Main Linkage 2-1	1	
<b>Totals</b>	12	<b>\$50.96</b>

**NOTES**

- § This estimate is valid for 21 days from the date of receipt.
- § All costs are based on job quantities of 1,000.
- § Any design changes will require a new estimate and associated quotation.
- § CAD geometry files in Parasolid, ACIS, STEP and IGES are required upon acceptance of the final quotation.